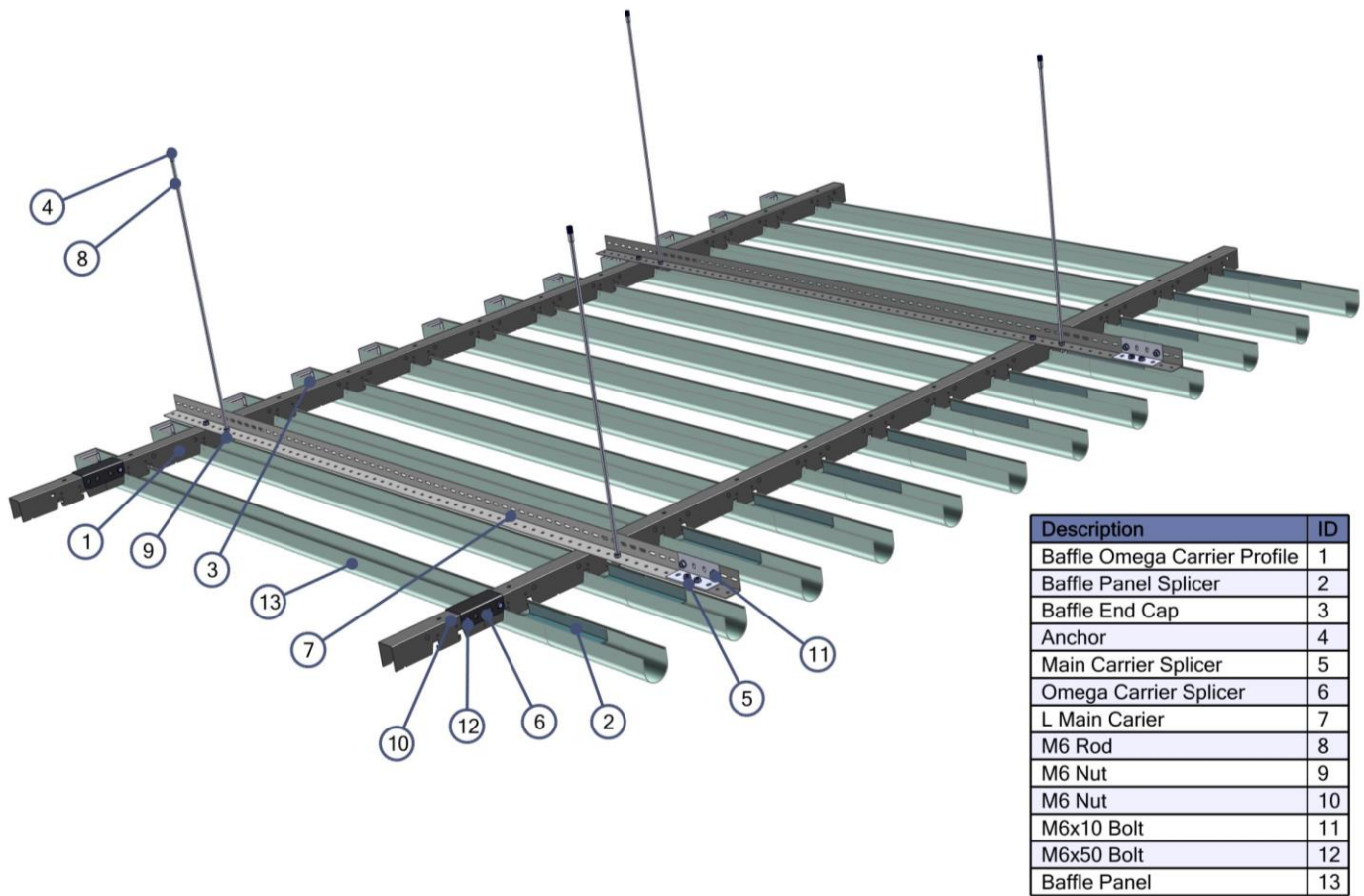


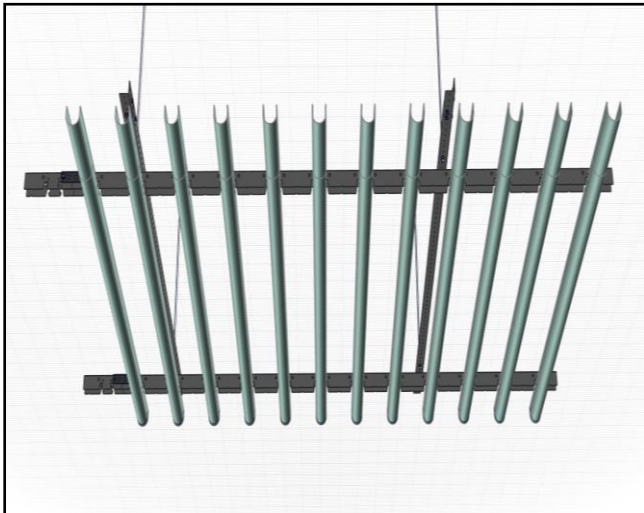
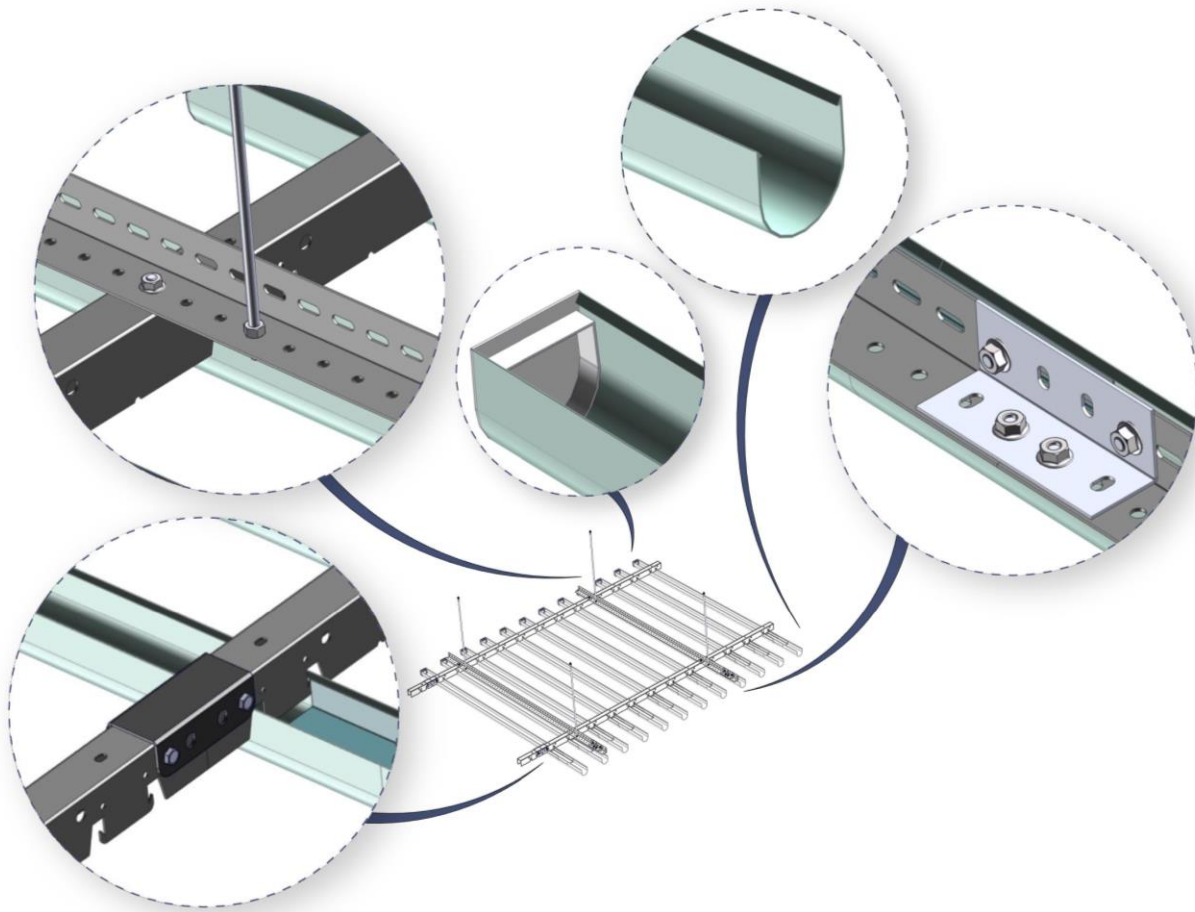
**GEOMETRIC
SYSTEM**

GEOMETRIC SYSTEM



- For special architectural projects, **C baffle ceiling system** is preferred to get impressive ceiling designs. Because of having special lock system, in carrier profiles, it provides saving time at labor cost.
- Axis gap and panel sizes are possible in special dimensions which provides design flexibility for projects.

DETAIL VIEW



MATERIAL OPTIONS

Galvanized Steel/Aluminum

ACOUSTIC

High acoustic performance with acoustic fleece up to α_w : 1,00

HUMIDITY

Galvanize panel: 90% RH

Aluminum panel: 100 % RH

LIGHT REFLECTION

Straight Panel: 9010 Painted % 86

Perforated Panel : 9010 Painted % 72

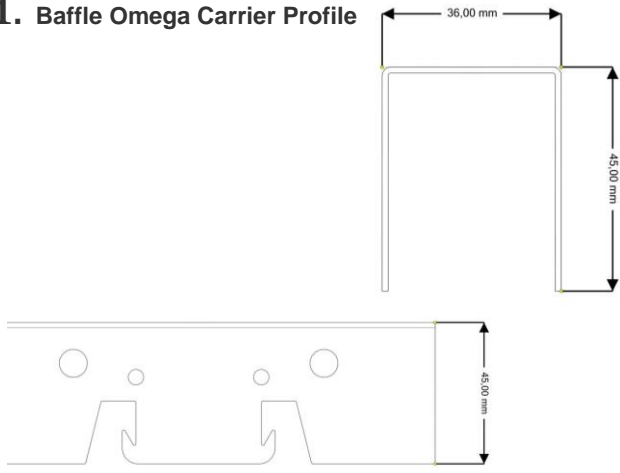
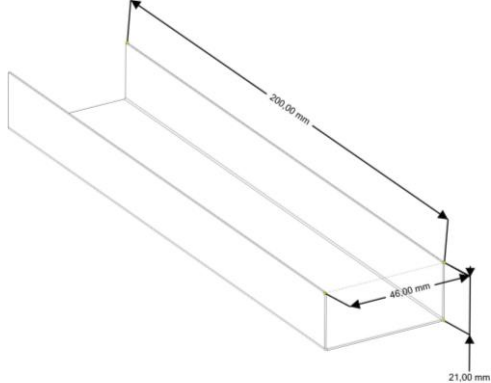
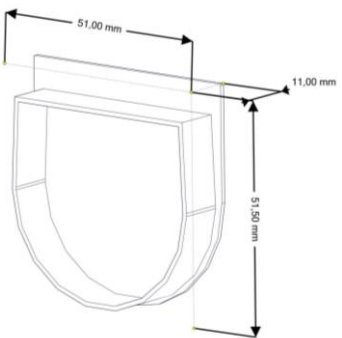
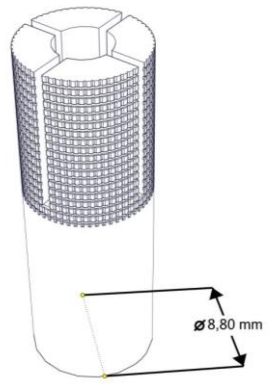
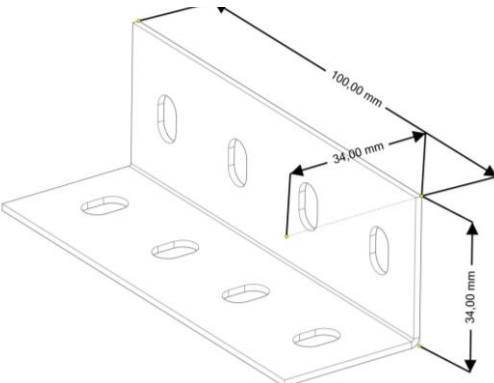
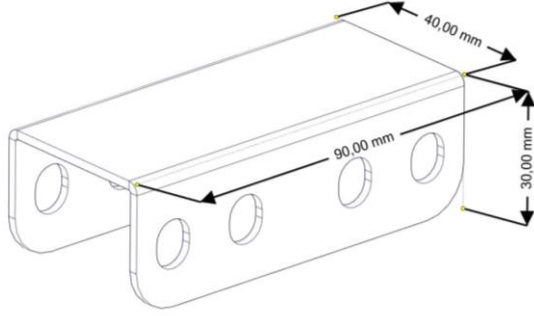
HYGIENE

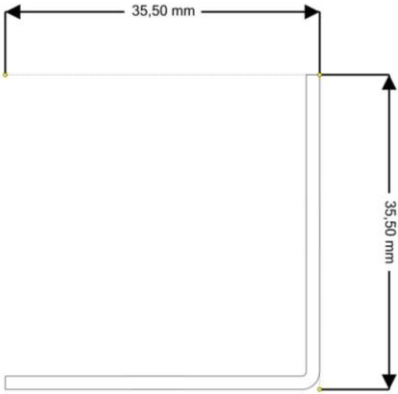
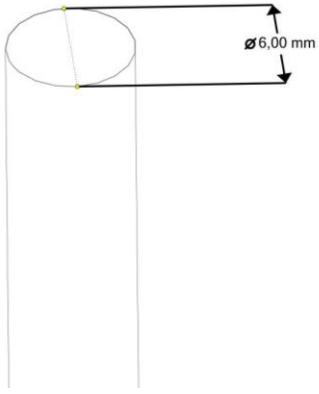
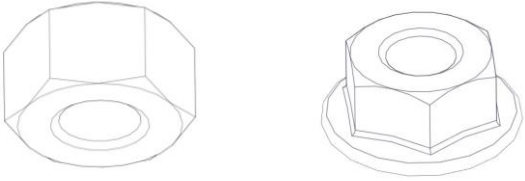
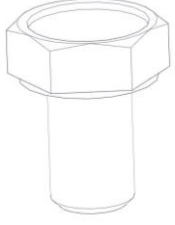

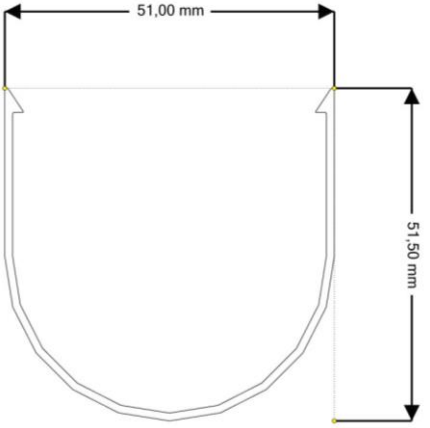
High performance in blocking bacterial formation on panel surfaces by applying anti-microbial paint.

PAINT

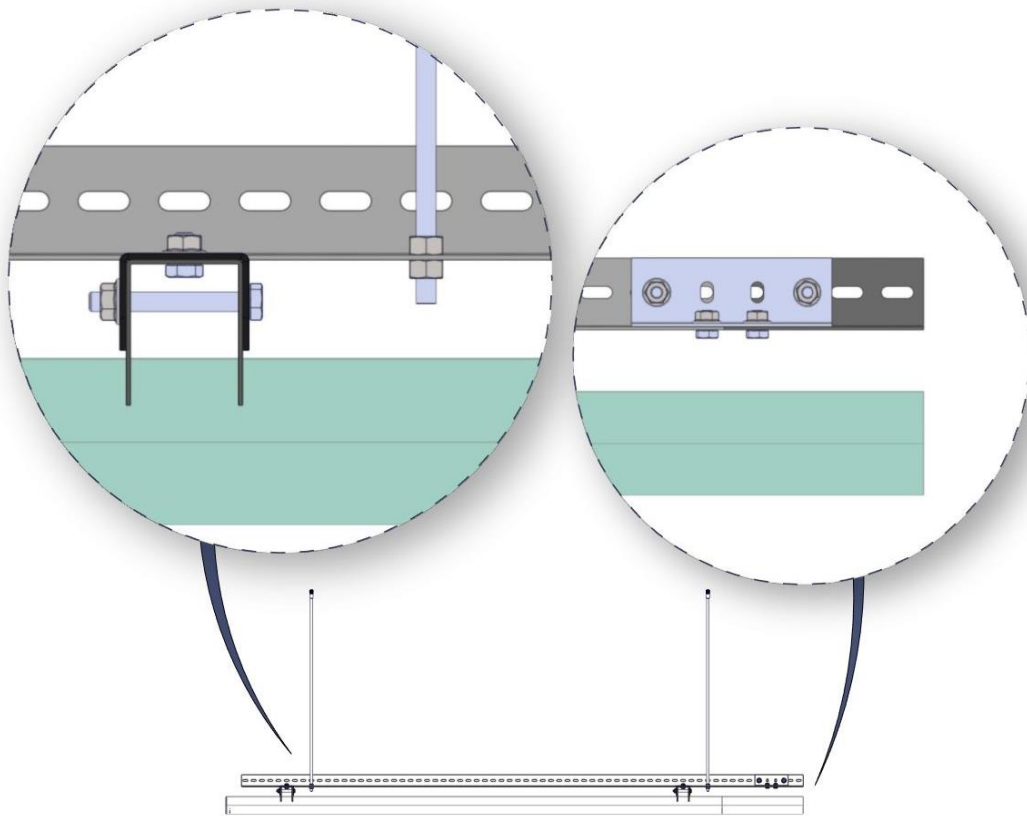
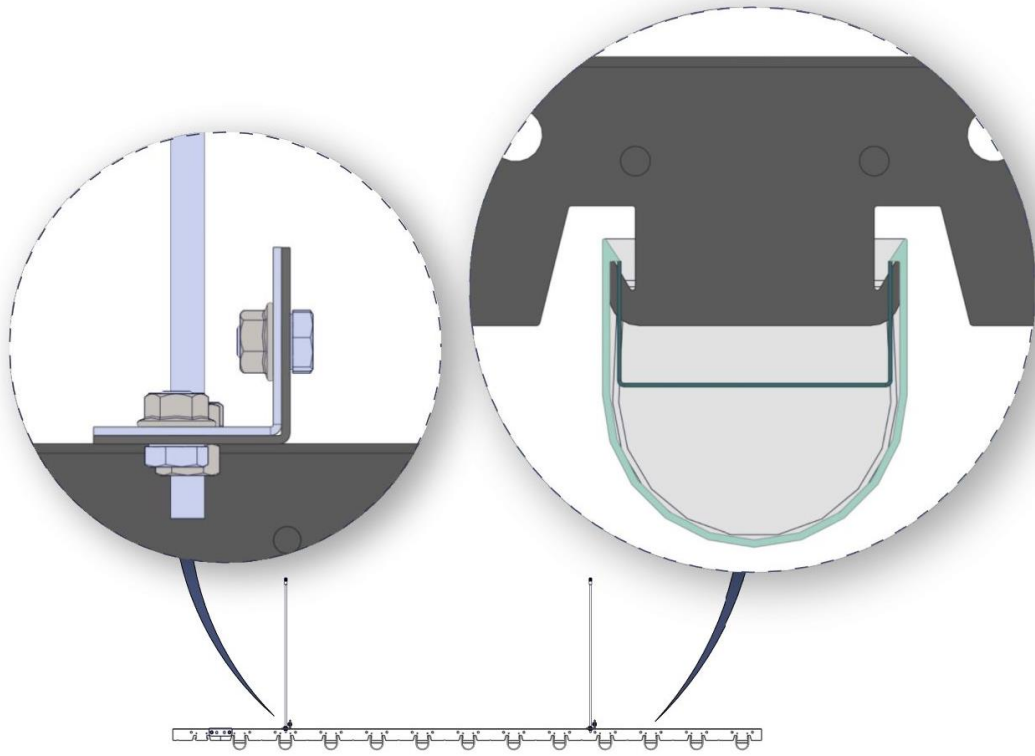
Prior to paint. Sensitive surface cleaning and phosphate coverage is applied. minimum 60 micron powder paint is sprayed by electrostatic system through 6 robots and cooked in a 180 meters long oven. The entire painting process takes place automatically by computer control.

ELEMENT SPECIFICATION

<p>1. Baffle Omega Carrier Profile</p> 	<p>2. Baffle Panel Splicer</p> 
<p>T : 1 mm Galvanized Steel W : 36 mm H : 45 mm L : up to 3000 mm</p>	<p>T : 0,50 mm Galvanized Steel W : 46 mm H : 21 mm L : 200 mm</p>
<p>3. Panel End Cap</p> 	<p>4. Anchor</p> 
<p>T : 1 mm Galvanized Steel W : 51 mm H : 51,50 mm L : 11 mm</p>	<p>T : Ø 6 mm Galvanized Steel H : 25 mm</p>
<p>5. Main Carrier Splicer</p> 	<p>6. Omega Carrier Splicer</p> 
<p>T : 1 mm Galvanized Steel W : 34 mm H : 34 mm L : 100 mm</p>	<p>T : 1,5 mm Galvanized Steel W : 40 mm H : 30 mm L : 90 mm</p>

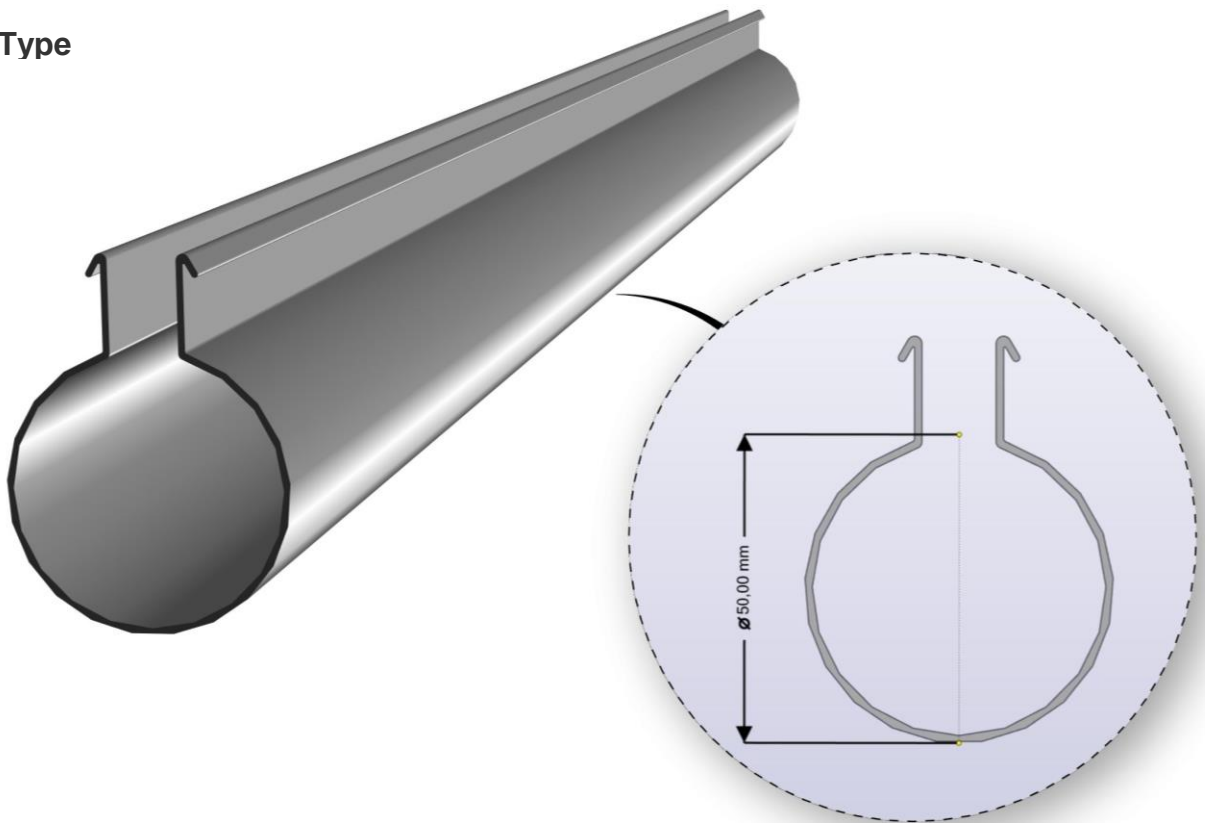
<p>7. L Main Carrier</p> 	<p>8. M6 Rod</p> 
<p>T : 1,5 mm Galvanized Steel W : 35,5 mm H : 35,5 mm L : Up to 3000 mm</p>	<p>T : Ø 6 mm Galvanized Steel L : Max 2000 mm</p>
<p>9. M6 Nut 10. M8 Nut</p> 	<p>11. M6X10 Bolt</p> 
<p>Type : M6 Nut Steel / M8 Nut Steel</p>	<p>Type : M6 Bolt Steel</p>
<p>12. M8X50 Bolt</p> 	<p>13. Baffle Panel</p> 
<p>Type : M8x50 Bolt Steel</p>	<p>T : 1,50 mm Galvanized Steel W : 51 mm H : 51,50 mm L : up to 3000 mm</p>

DETAIL SECTION

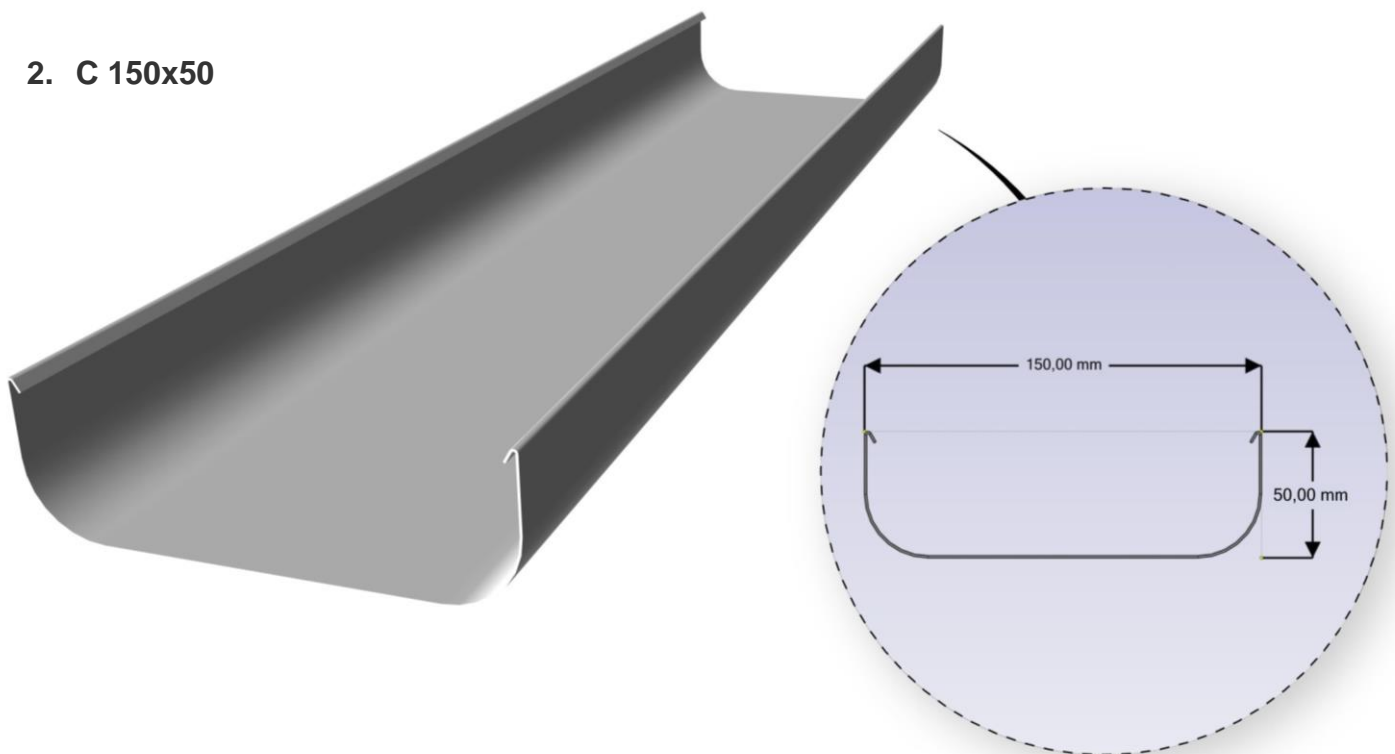


GEOMETRIC ALTERNATIVES

1. Tube Type

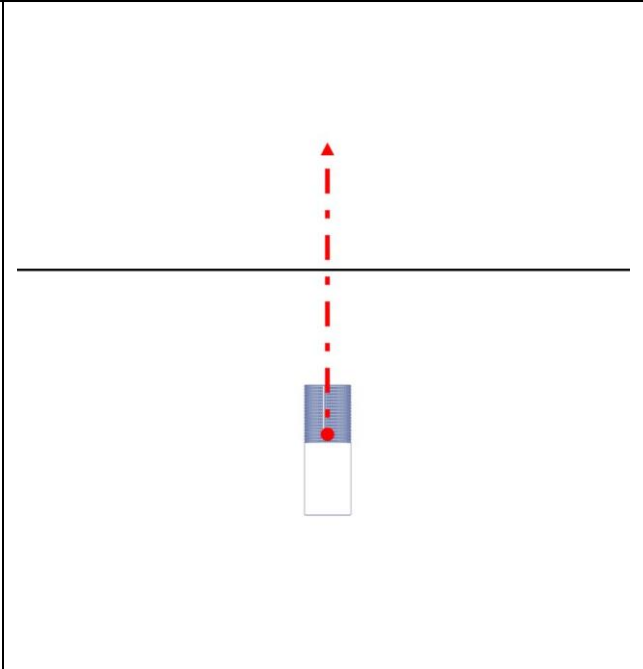


2. C 150x50

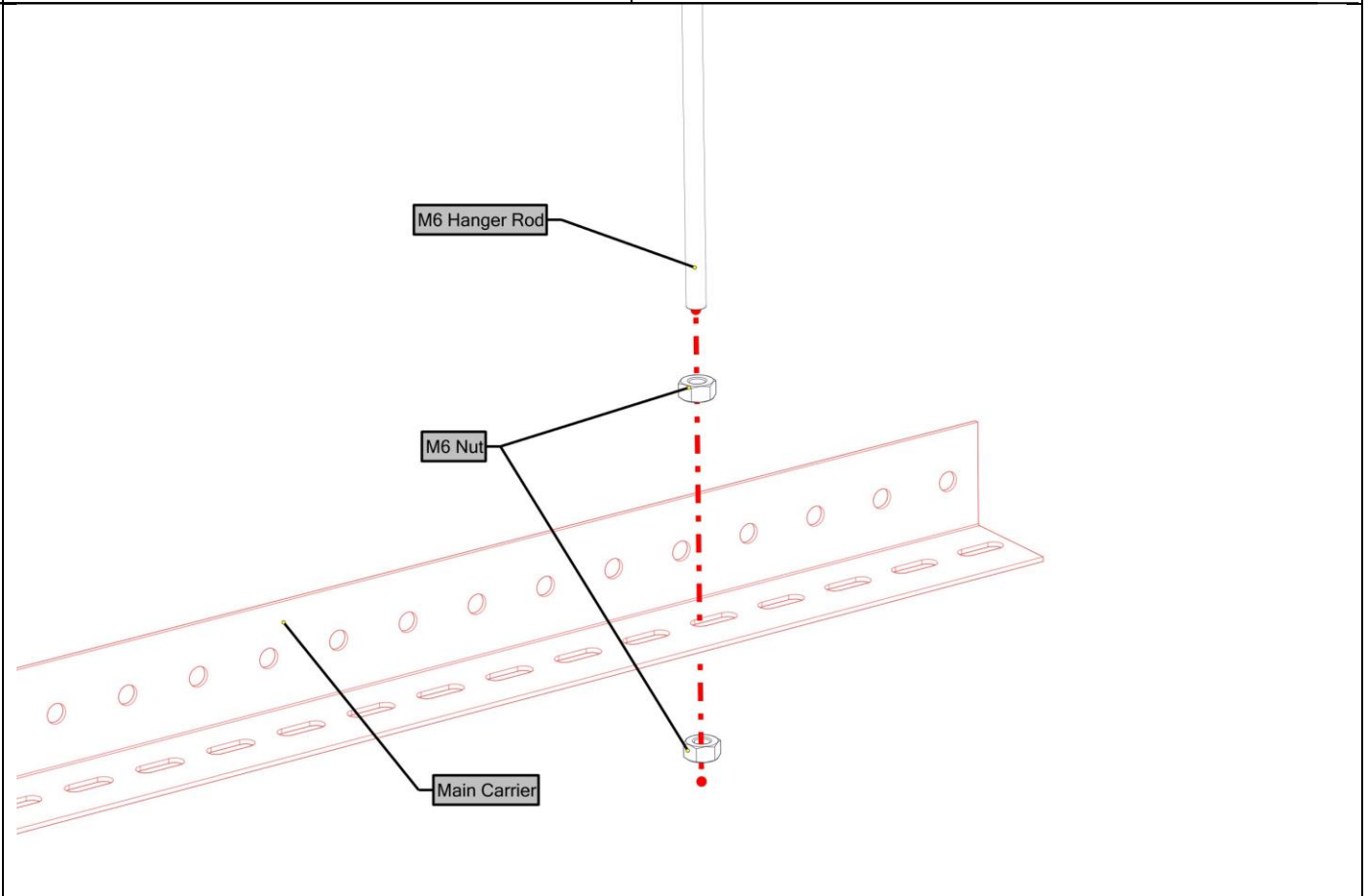
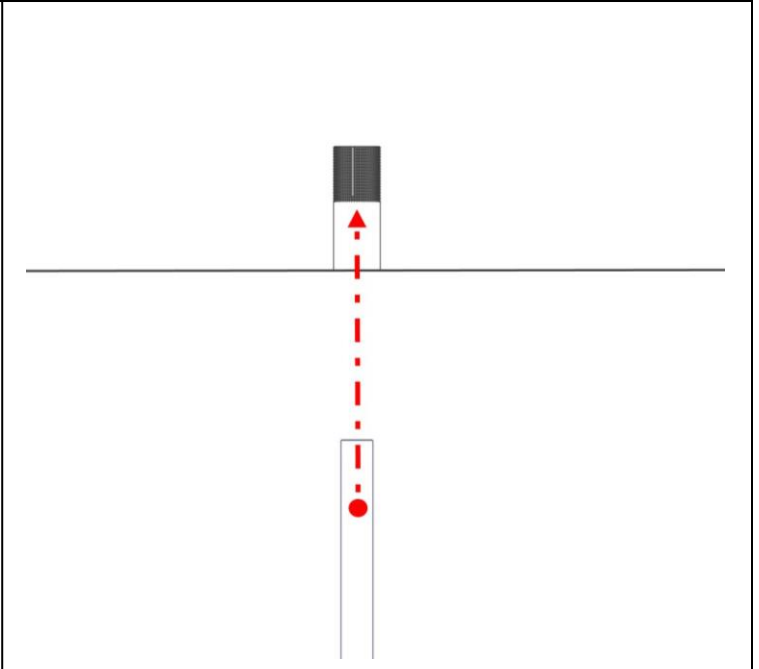


ASSEMBLY TECHNIQUE

STEP 1.

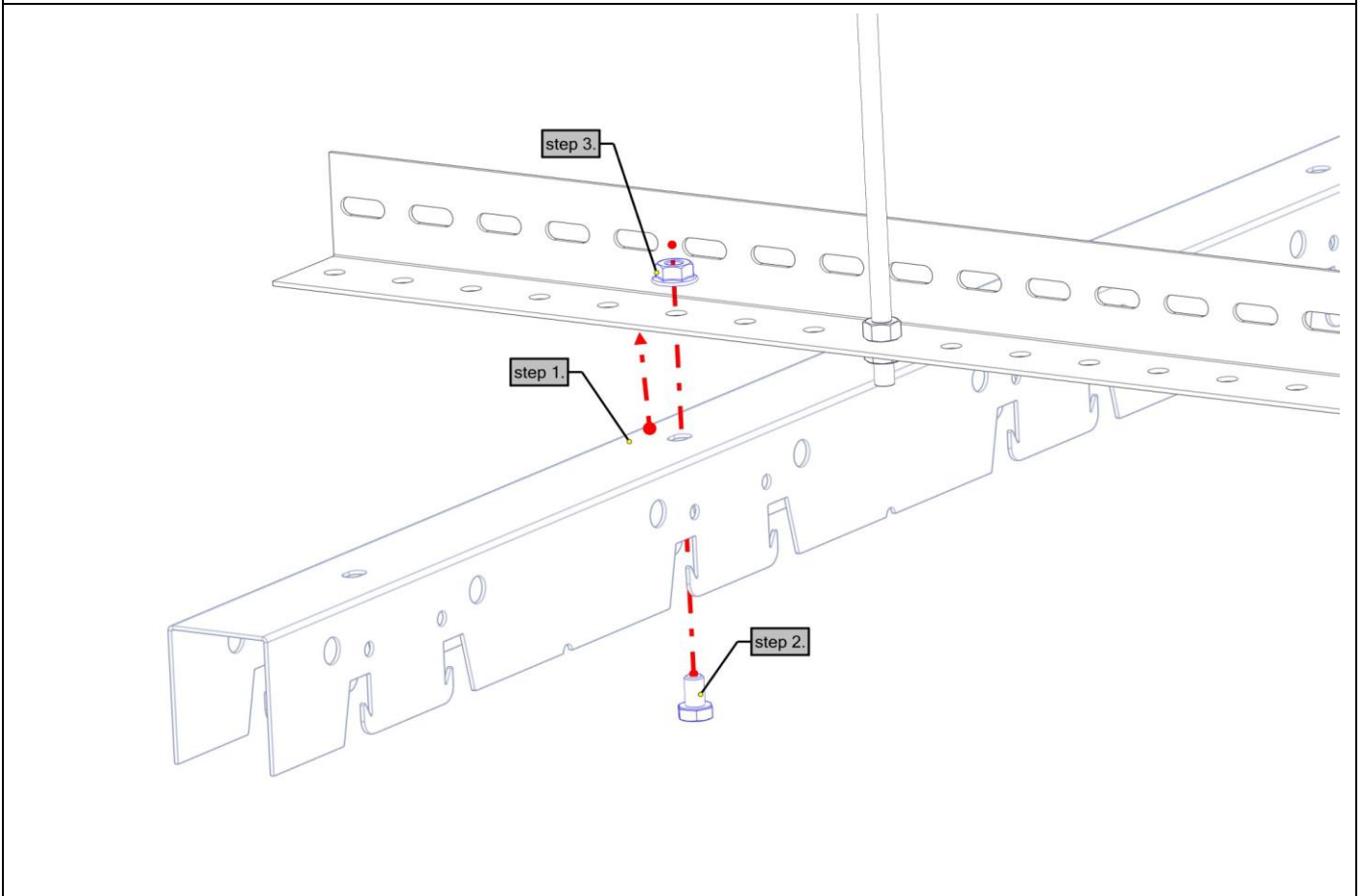
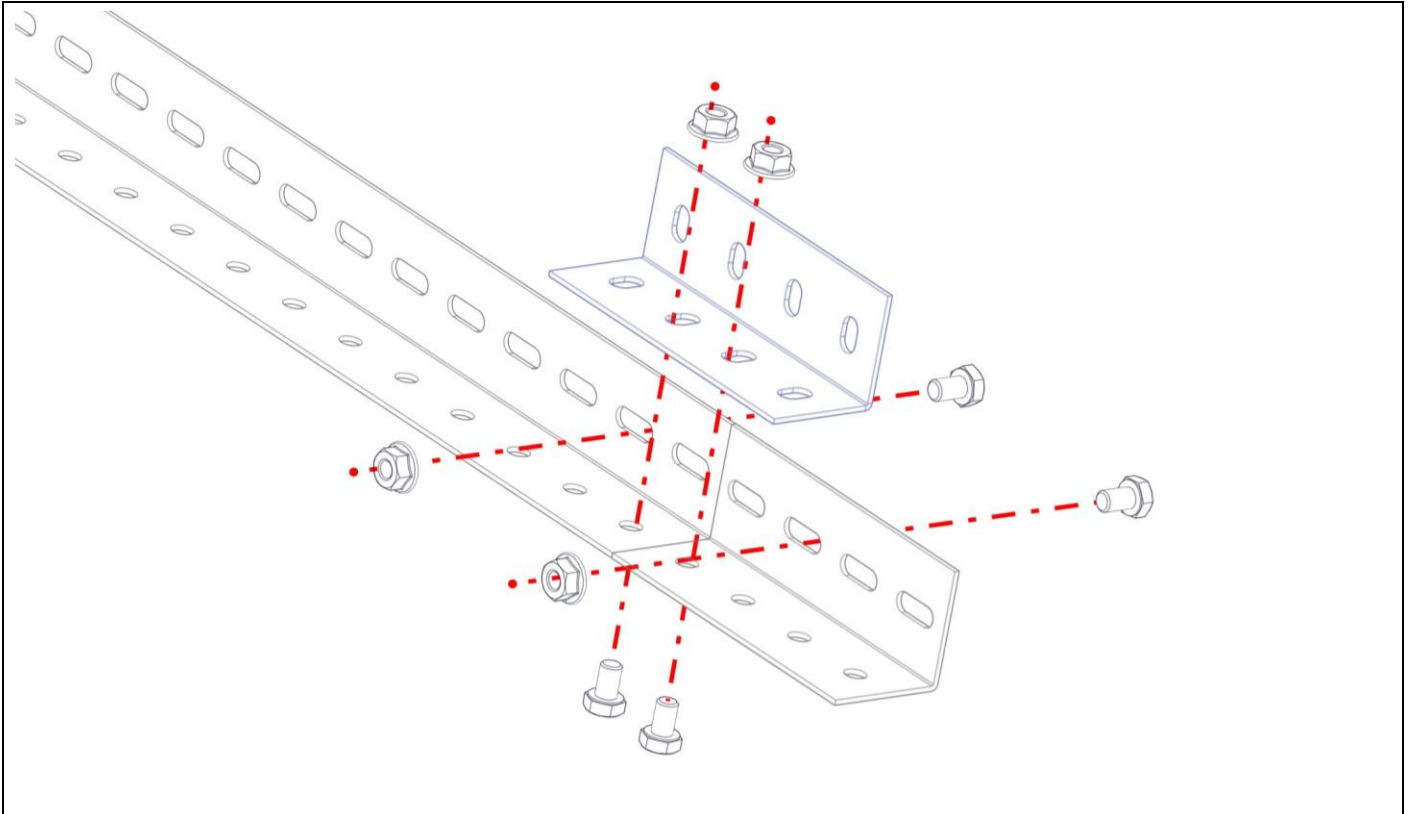


STEP 2.



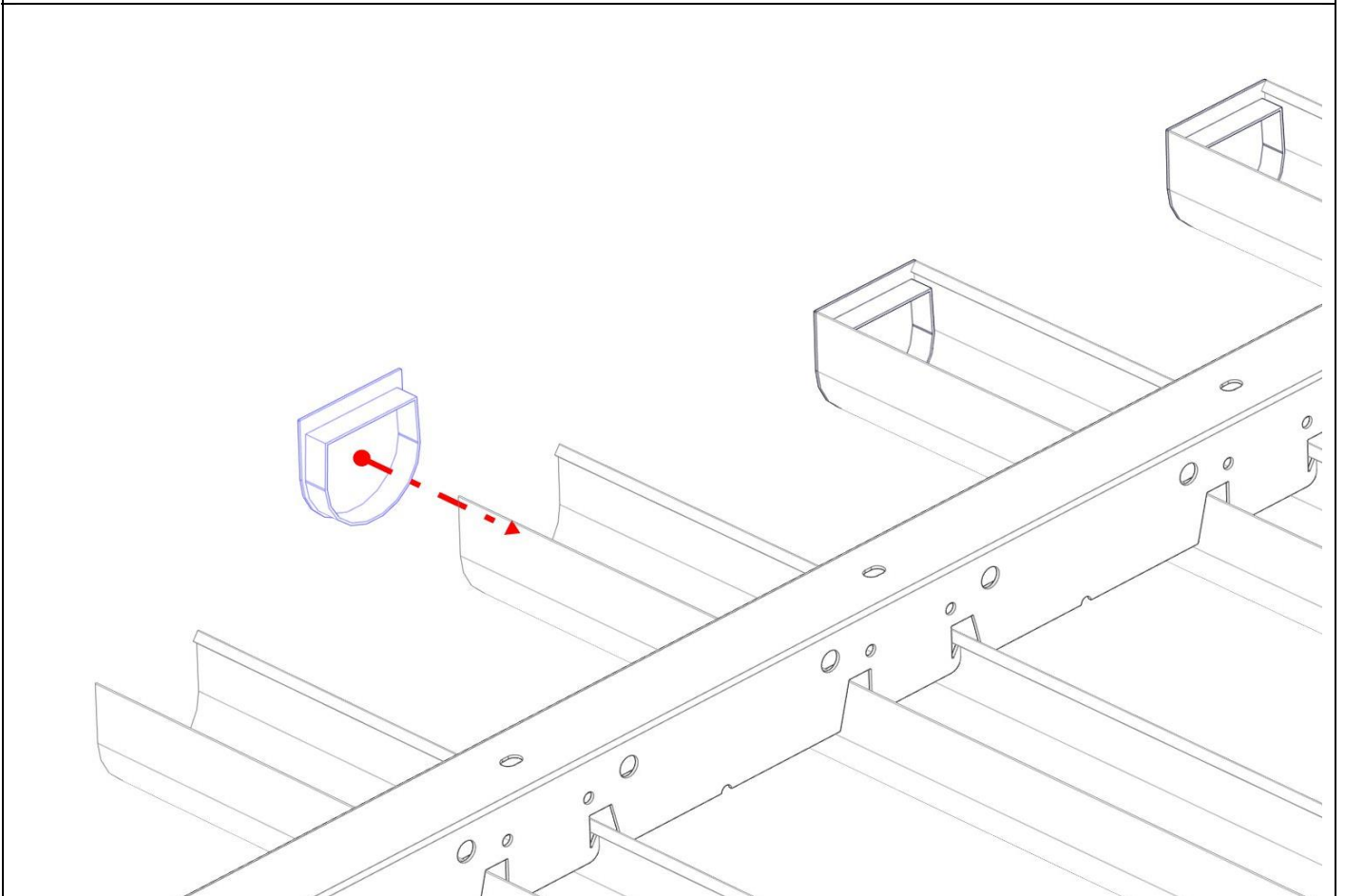
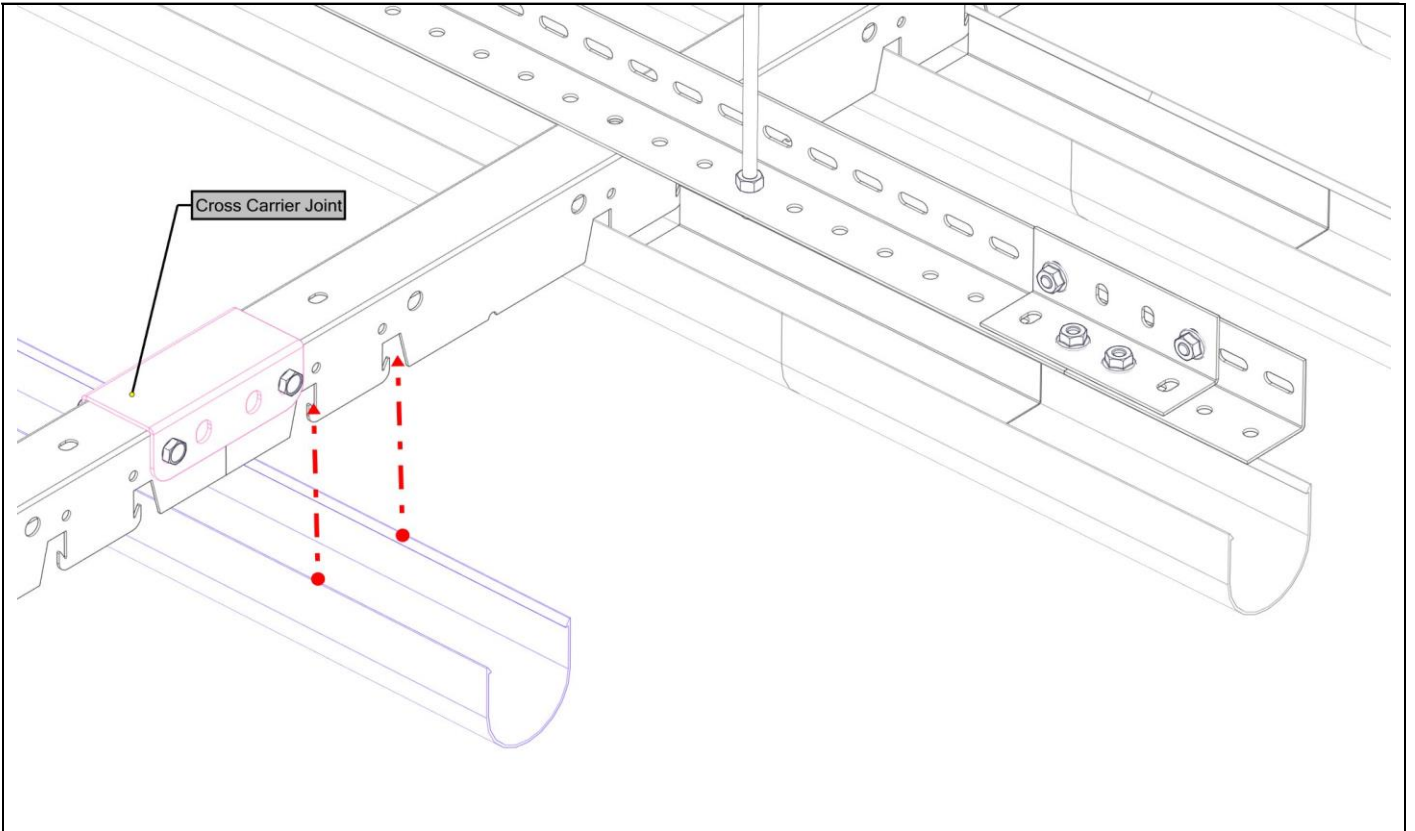
STEP 3.

STEP 4.



STEP 5.

STEP 6.



STEP 7.

Declaration of Performance



No:A-INT.PD20171001-01

1.Uniquade identification code of the product-type:	Metal Ceiling Systems
2.Type, batch or serial number or any other element allowing identification of the construction product as required pursuant to Article 11 (4):	Product Type, Order/Batch Nr.
3.Intended use or uses of the construction product, in accordance with the applicable harmonized technical specification, as foreseen by the manufacturer:	Internally, to produce an installed suspended ceiling
5.Where applicable, name and contact address of the authorized representative whose mandate covers the tasks specified in Article 12 (2):	Not Applicable
6.System or systems of assessment and verification of constancy of performance of the construction product as set out in Annex V:	Systems 3
7.In case of the declaration of performance concerning a construction product covered by a harmonized standard:	(a)The manufacturer carrying out factory production control; (b) Turkish Standards Institution (TSE) /Notified Body No:1783 issued the Reaction to Fire classification report (Report No:TSE-19.01.2017-170050) according to TS EN 13501-1+A1:2013-04 as the notified testing laboratory (based on sampling carried out by the manufacturer).
8.In case of the declaration of performance concerning a construction product for which a European Technical Assessment has been issued:	Not Applicable

Declaration of Performance

No:A-INT.PD20171001-01



9.Declared Performance

- (a) Column 1 shall contain the list of essential characteristics as determined in the harmonized technical specifications for the intended use or uses indicated in point 3 above.
- (b) For each essential characteristic listed in column 1 and in compliance with the requirements of Article 6, Column 2 shall contain the declared performance, expressed by level or class, or in a description, related to the corresponding essential characteristics. The letters 'NPD' (No Performance Determined) shall be indicated where no performance is declared.
- (c) For each essential characteristic listed in column 1, column 3 shall contain:
- I-Dated reference of the corresponding harmonized standard and, where relevant, the reference number of the Specific or Appropriate Technical Documentation used; or
 - II-Dated reference of the corresponding European Assessment Document where available and reference number of the European Technical Assessment used.

Essential Characteristics	Performance	Harmonized Technical Specification
Reaction To fire	A2-s1, d0	TS EN 13964:2014-04 + TS EN13501-1+A1:2010
Release of Dangerous Substances	No Content	TS EN 13964:2014-04 + TS EN13501-1+A1:2010
Flexural Tensile Strength	NPD	TS EN 13964:2014-04 + TS EN13501-1+A1:2010
Thermal Conductivity	NPD	TS EN 13964:2014-04 + TS EN13501-1+A1:2010
Durability	Corrosion Class B	TS EN 13964:2014-04 + TS EN13501-1+A1:2010
Sound Absorption Single Value a_w	See Table Below	TS EN 13964:2014-04 + TS EN13501-1+A1:2010

Sound Absorption Single Value a_w	Perforation Types		
	Ø1,5 mm	Ø1,8 mm	Ø2,5 mm
JM 60	-	0,35	0,35
Royalin R6/60	0,60		
JM 60 Double	0,45		
JM60 with 25 mm 50 kg/m ³ rockwool	1,00		

10. The performance of the product identified in point 1 and 2 is in conformity with the declared performance in point 9. This declaration of performance is issued under the sole responsibility of the manufacturer identified in point 4.